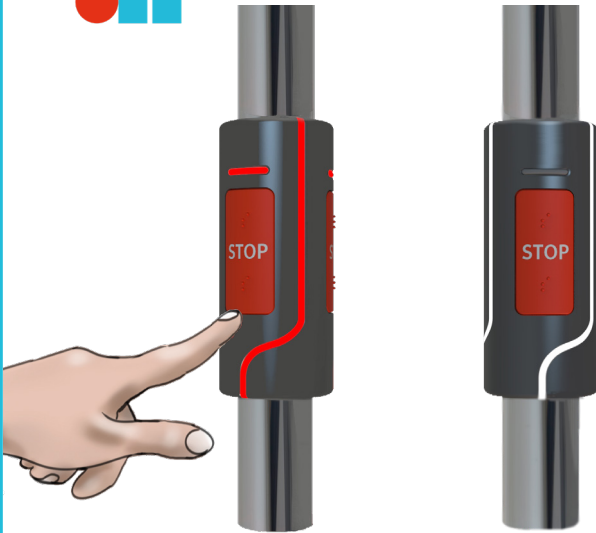




M-360

PATENTED PRODUCT



M-360/P stop request pushbutton for pole mounting

- 360° actuation and lighting visibility
- Color blind lighting design
- Haptic feedback actuation (click effect)
- Slim profile

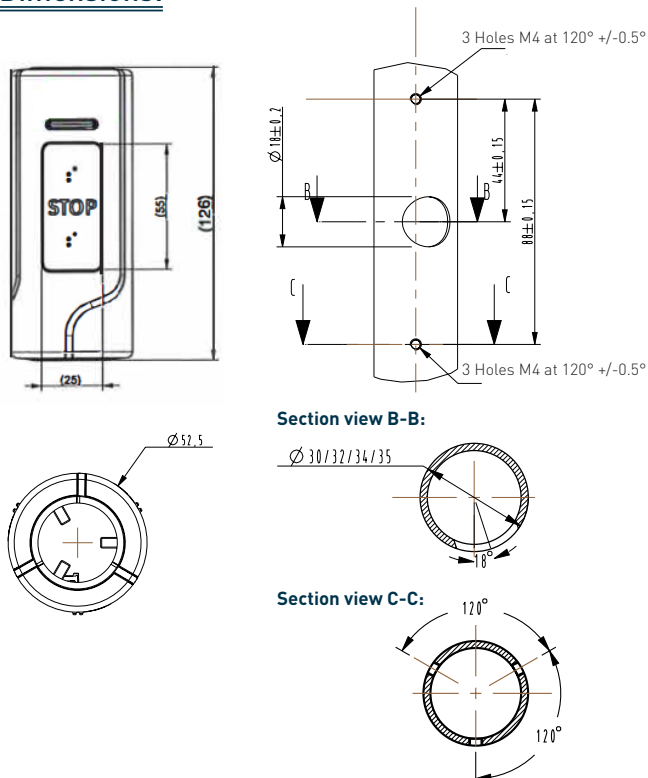
Mechanical characteristics:

- Pole: $\varnothing 35$, $\varnothing 34$, $\varnothing 30$ mm
- Vertical or horizontal orientation
- IP40 protection
- IK07 impact resistant
- Actuation stroke: 1.8mm
- Mechanical service life: 4 000 000 operations
- Operating temperature: -30°C / $+70^{\circ}\text{C}$
- Possible configuration on generic drawing

Options :

- 1 actuator
- Color, marking, relief and light customization
- Adapted wiring harness
- Pole drilling gauge YSN2802Axxx

Dimensions:



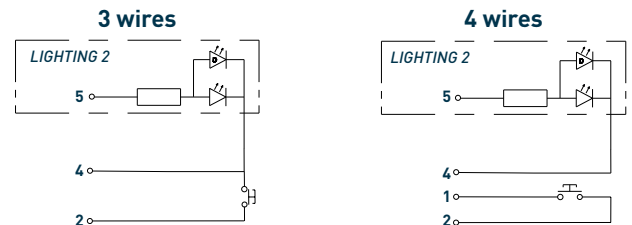
Standards:

- EMC ECER10, EN 50121-3-2
- Fire & smoke ECER118, EN 45545-2
- Environment ISO 16750, EN 50155, EN 60529, CEI 62262, EN 61373
- REACH / RoHS

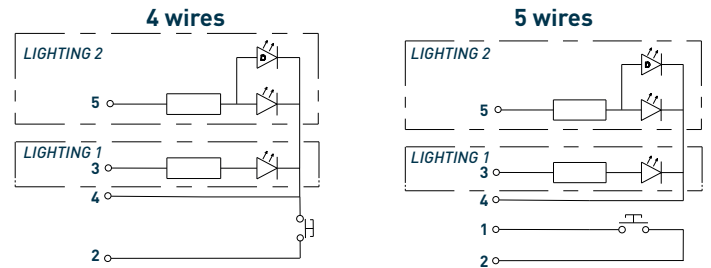
Electrical characteristics:

- Voltage: 12Vdc or 24Vdc
- Illumination colors: white, red, blue, green, amber

Single color schematic:



Dual color schematic:



Connector output -
Part number : Molex 502443-0570

| Pin n° | Function |
|--------|-------------------|
| 1 | Common switch |
| 2 | SW-OUT |
| 3 | +xxVDC Lighting 1 |
| 4 | 0V |
| 5 | +xxVDC Lighting 2 |

