

Company*:

Select your activity*:

Project:

N° plan:

* Mandatory fields

1 - Position: Lower light Upper light

2 - Fire & smoke: European standard American standard

EN 45545 NFPA130 Other:

3 - Requested functions

Head lamp full mode Head lamp dimmed mode
 White marker lamp full mode White marker lamp dimmed mode Red tail lamp

Option: Adjustment at $\pm 1,5^\circ$ on the two axes after mounting

4 - Optical Characteristics European standard

American standard

Compliance requested: STI LOC & PAS 2014 / EN 15153-1 : 2020

49 CFR 229.125
 49 CFR 238.443
 49 CFR 221.14

Other:

Anti-glaring according to table 3 of EN15153-1: 2020

[See standard values](#)

Attenuation of existing customer glass on the train:

No customer glass 0% -> 15% Standard vertical glass 15% -> 25% Tempered & small tilted glass 25% -> 35% Tempered & large tilted glass

5 - Operating rated voltage +25% -30% 24 V / 36 V 72 V / 110 V

6 - Light status feedback

Potential free contact without common ; open on defect Other Please join a drawing [See diagrams](#)
 Without feedback

7 - Cable Lenght Standard: 500 mm ± 30 mm 1000 mm ± 50 mm 2000 mm ± 50 mm Other: mm
 Output Standard: 0° 90°

8 - Connector Standard: without connector Other:

9 - Mounting Front mount  Rear mount 

10 - Options

Bezel  Protective glass (mandatory for anti-glaring version)  Defrosting glass  Watertightness to mounting frame

STI LOC & PAS / EN15153-1: 2020

Lower head lamp

Head lamp	Optical axis	at $\pm 5^\circ$
Full	40 000 to 70 000 cd	> 10 000 cd
Dimmed	12 000 to 16 000 cd	> 3 000 cd

Upper head lamp

Head lamp	Optical axis
	12 000 to 16 000 cd

Lower white marker lamp

Marker lamp	Optical axis	at $\pm 45^\circ$
Full	300 to 700 cd	15 to 40 cd
Dimmed	100 to 300 cd	3 to 40 cd

Upper white marker lamp

Marker lamp	Optical axis	at $\pm 10^\circ$ in horizontal plan
Full	150 to 350 cd	30 to 350 cd
Dimmed	50 to 150 cd	10 to 350 cd

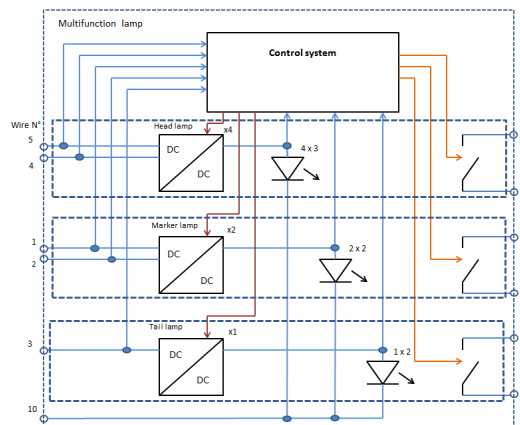
Lower red tail lamp

Tail lamp	Optical axis	at $\pm 7.5^\circ$ horizontal	at $\pm 2.5^\circ$ vertical
Full	15 to 100 cd	7.5 to 100 cd	7.5 to 100 cd

49 CFR229.125 & 49 CFR238.443

Head lamp	Optical axis	at $\pm 7.5^\circ$	at $\pm 20^\circ$
	> 200 000 cd	> 3000 cd	> 400 cd

Connection & Light status feedback (open on defect)



Other on request

Because both standards and Mafelec's product range are constantly evolving, the information contained in this document cannot be considered contractually binding.

471 Route de la Cuisinière - F-38 490 CHIMILIN - FRANCE - Ph. : +33 (0)4 76 32 07 33 - Fax : +33 (0)4 76 32 54 11
 www.mafelec.com - contact@mafelec.fr