



*FAA25090AD button base

Touchless pushbutton for OTIS elevator COP and Hall box

→ Current pushbutton interchangeable*

→ OTIS aesthetic

→ 2 switching modes :

› INFRARED TOUCHLESS

› PUSHBUTTON FOR VISUALLY IMPAIRED

→ Multiple false touchless detection management

→ EEAA25090H: Call/Floor selection button, DCB

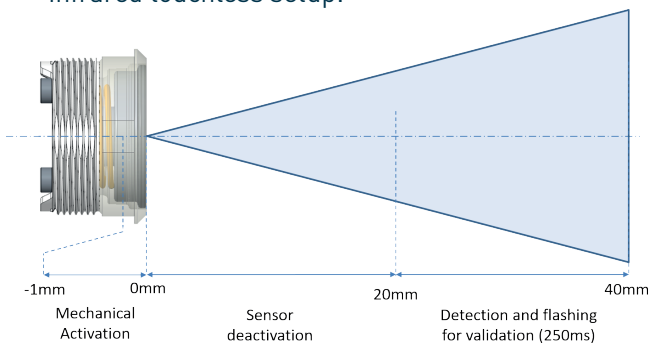
→ EEAA25090L : DOB

Mechanical characteristics:

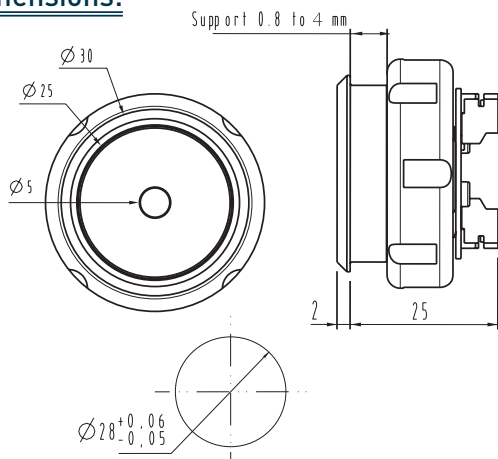
- Operating temperature : -18°C to +60°C
- Lifetime: 10 years
- Protection : IP 52
- Impact resistance : IK 05
- Activation stroke : 1 mm
- Activation force: 2.5N < F < 5N
- Same finishes actuator as FAA25090AD buttons
- Standard Nuts : FAA72N1 or MAA72W1

Optical characteristics:

- Single color halo illumination: white, blue, red, green or amber
- Infrared touchless setup:



Dimensions:

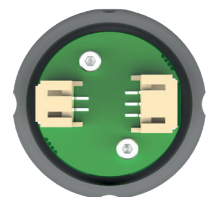
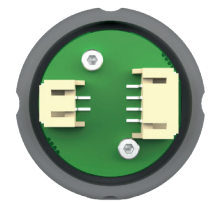
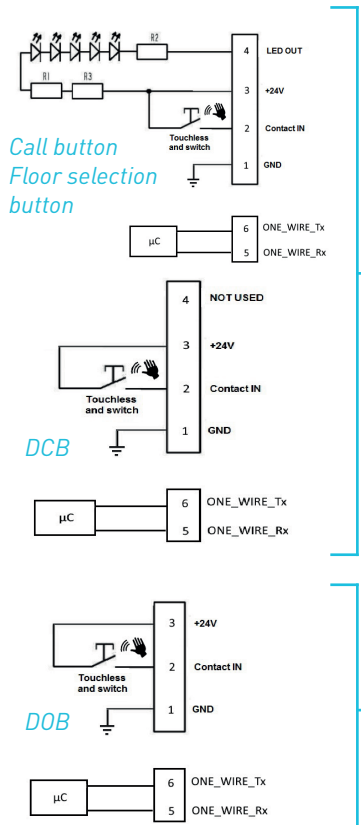


Standards:

- Design EN81-20
- PMR EN81-70

Electrical characteristics:

- Voltage : 24VDC +/- 1V
- Consumption : 50mA max
- Contact 1 NO
- Right angle PHseries connector JST
- New wiring provided by OTIS
- Electrical diagram :



KEEP OTIS AESTHETIC



Current European OTIS mechanical button
FAA250990AD



Future European OTIS mechanical and touchless button

Future European OTIS mechanical and touchless button

HALL BOX FITTING

COP FITTING

Additional ring (3.5mm thick)

Current European OTIS mechanical button
FAA250990AD



EVOLUTION:
From 3 to 4 wires for remote connection

KEEP MECHANICAL INTERFACE AND REMOTE MODULE



New adapted wiring :

- 4 wires for remote connection (3 wires for DOB)
- 1 wire to interconnect buttons and avoid multiple false touchless detection

