



# M-USB



## USB M-DOOR Slim Socket

- > Removable USB module with special tool for quick and easy maintenance
- > USB Type A or USB Type C compatible / interchangeable
- > Upgrade Type A to Type C
- > 0.5A, 1A or 2.4A per USB port

### Mechanical / Environmental characteristics:

- Front Panel or Pole mounting
- Insertion / extraction: 5 000 cycles Type A, 10 000 cycles Type C
- Operating temperature: -25°C (-13°F) to +55°C (+131°F)
- Removable USB type A 3.0 module with special tool for quick and easy maintenance
- Vandal proof mounting
- 5 USB module Types: A, A+A, C, C+C, A+C
- Marking of USB logo, voltage and Max current
- IP20, IK07

### Standards:

- Product EN 62684, EN 62680
- Application EN 50155
- Shocks / vibrations EN 61373
- EMC EN 50121-3-2
- Fire/smoke EN 45545-2
- ROHS, REACH

### Electrical characteristics:

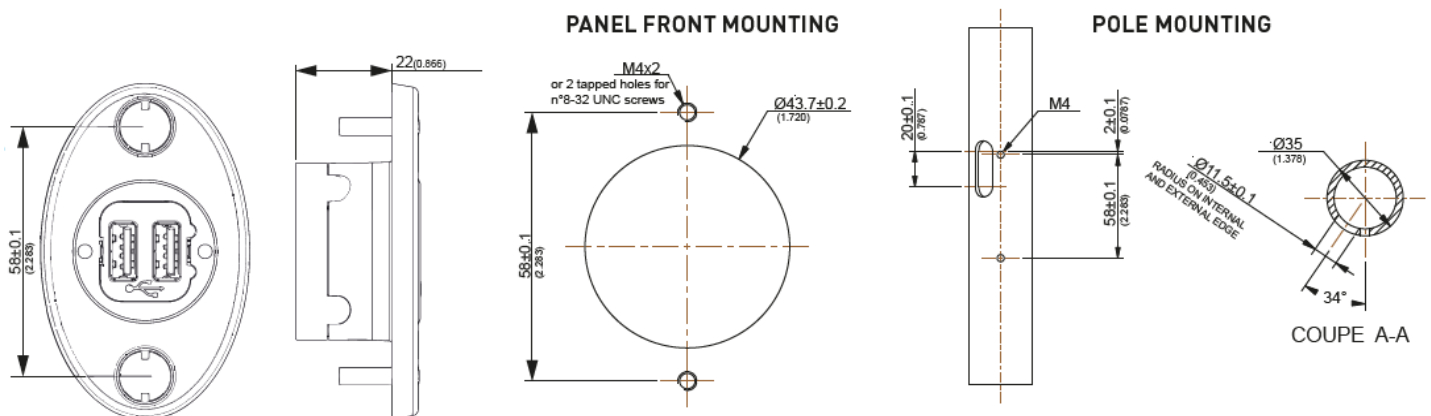
- 5VDC output according to USB standard
- Standard current per port: 0.5A, 1A, 2.4A
- Compatible with M-USB converters

### Options:

- Power supply indicator
- 2 USB ports with independant power supply
- Customization of front side colors
- Customization of marking information
- Connector on demand

### Mounting / connection:

- Mounting with 2 M4 or n°8-32 UNC screws
- Output: 100mm EN50306-4 cable, 2 or 4 wires



### PANEL CUT OUT

