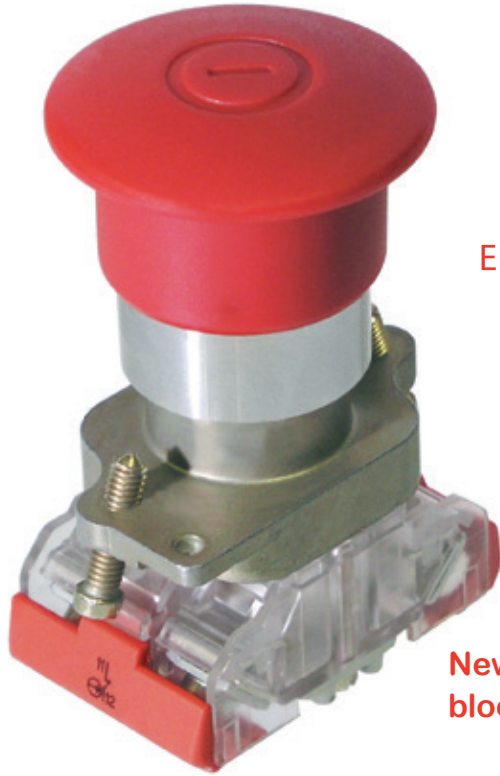


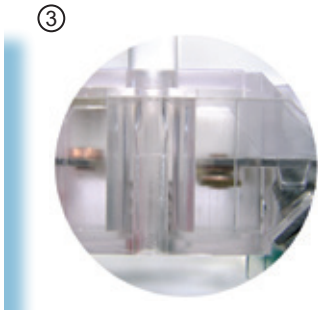
Emergency STOP



EN418

Protection of people and machinery

New contact blocks



Equipment complying with European Standard **EN 418**, relating to safety devices.

The range of possibilities :

- ① **Heads for all applications**
 - Ø 30, Ø 40, Ø 70
 - Black or chrom-plated bezels.
- ② **Choice of connections**
 - Screws and brackets or washers, IP2 protection.
 - Single or double tabs for 6.35 mm lugs straight, 90°, 45°.
 - (Contact us for other connection types)
 - Tapping for earthing.
- ③ **Flexibility and accuracy in the contact solutions**
 - Self cleaning, reinforced contacts.
 - Choice of the contact material depending on the utilisation: low current, harsh atmosphere ...
 - Possibility of modifying the contact sequence using different contact thickness: standard, half-thickness, thick.
- ④ **An ultra-modular electric stack**
 - From 1 to 2 lateral contact per tier.
 - 1NC, 1NC1NO, 2NC, 2NC2NO.
 - Contact identification per standards
 - From 1 to 2 tiers (or more, contact us).
- ⑤ **Watertight and robust**
 - High mechanical resistance 100 000 manoeuvres
 - Sealing levels : IP65, IPx7 (submergence 1m / 30mn)
 - Tropicalisation.
- ⑥ **Rugged mode of attachment**
 - Moulded metal body, attachment by punch screws, guaranteeing excellent resistance to shock and vibration.
 - Contact tiers screwed
 - Tapping for earthing

The modular design of MAFELEC's control and signalling components provides for a multitude of combinations and adaptations.

The examples illustrated in this catalogue only represent a fraction of designs produced by our Design Office every day for our customers.

All alternative solutions can be designed from the basic elements, to produce the desired function.



Compliance with Emergency STOP Standards

Certification	EN 418 / ISO 13850 : so-called «tamper-proof» system, positive contacts opening, special electrical stack Heads comply RoHS directive 2002/95/EC
Vibration resistance	Per IEC NF EN 6068-2-6 : 5gn, 10 to 500 Hz
Shock resistance	IK10 per IEC NF EN 62 262
Storage temperature	- 40°C to + 85°C per IEC NF EN 60068-2-1, IEC NF EN 60068-2-2
Operating temperature	- 25°C to + 70°C per IEC NF EN 60068-2-1, IEC NF EN 60068-2-2
Fire resistance	V2 per UL standard
Protection against accidental contact with active circuits	IP2x per IEC NF EN 60529 with protector
Degree of protection	IP65 and IP67 depending on the model and per IEC NF EN 60529

Characteristics of the contact elements

Rated thermal current	I _{th} = 20A per IEC NF EN 60947-5-1
Rated insulation voltage	U _i = 6300V per IEC NF EN 60947-5-1 and IEC NF EN 60077-2
Rated surge voltage	6 kV per IEC NF EN 60947-5-1 and IEC NF EN 60077-2
Contact operation type	Slow make depending action
Activation force	Push button : 1NC = 8N, 1NO = 10N, 2NC = 13N, 2NO = 13N
Contact material	Depending on the type of environment:

Oxidising atmosphere, corrosive sulfurised type (SO₂, H₂S)
eg Places of high diesel and exhaust concentration or certain industries processing waste incinerators.

Any other atmosphere including saline atmospheres.

Atmospheres	Highly sulfurised (SO ₂ , H ₂ S)	Other
Current level*		
≥ 10 mAmps	AgPd	AgNi
1mAmp < I < 10 mAmps	AgNi + gilding	AgNi + gilding

* For all levels of current < 15mAmps, please contact us to specify the conditions of use (outdoor pollution, signal type, EMC, ...).

Maximum number of contacts	4 (2 stacks). For more contacts, contact us
Terminal markings	Per IEC NF EN 60947-5-1
Operating power	AC-12 : 230V/15A & 400V/8A AC-15 : 230/8A & 400V/8A DC-12 : 24V/15A & 110V/8A DC-13 : 24V/4A & 110V/1A
Connection	Screw and bracket : min. 1x 0.22 mm ² , max. 2x2.5 mm ² Single or double tab for 6.35 mm clip. Special connection on request

Emergency STOP pushbuttons



22 Emergency STOP pushbuttons - Complete units - Ø 22 Range

- Metal bezel - Plastic button - Attachment by punch screws - 1 or 2 contacts per tier - Connection by IP2x screw / bracket

Description	Contact	Schematic	Part Number			
			Chrome bezel	Black Bezel		
Pull-push E-stop Ø 30 button IP65	1NC		D22Z301OL RT	D22N301OL RT	0.140	
	1NO 1NC		D22Z301O1FL RT	D22N301O1FL RT	0.145	
	2NC		D22Z302OL RT	D22N302OL RT	0.140	
	2NO 2NC		D22Z302O2FL RT	D22N302O2FL RT	0.145	
Pull-push E-stop Ø 40 button IP65	1NC		D22Z401OL RT	D22N401OL RT	0.150	
	1NO 1NC		D22Z401O1FL RT	D22N401O1FL RT	0.155	
	2NC		D22Z402OL RT	D22N402OL RT	0.150	
	2NO 2NC		D22Z402O2FL RT	D22N402O2FL RT	0.155	
Pull-push E-stop Ø 70 button IP65	1NC		D22Z701OL RT	D22N701OL RT	0.150	
	1NO 1NC		D22Z701O1FL RT	D22N701O1FL RT	0.155	
	2NC		D22Z702OL RT	D22N702OL RT	0.150	
	2NO 2NC		D22Z702O2FL RT	D22N702O2FL RT	0.155	

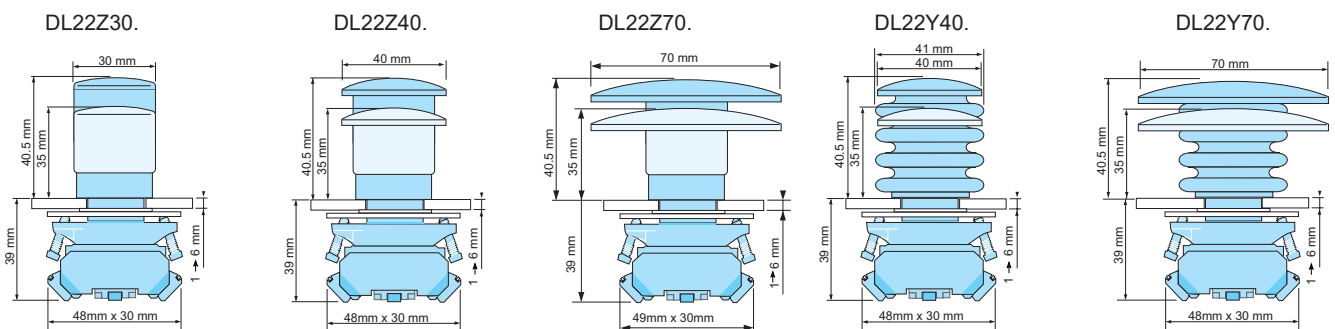
Watertight versions

Description	Contact	Schematic	Part Number			
			IP 67	IP 66		
Pull-push E-stop Ø 40 button With bellows	1NC		D22Y401OL JT	DL22Y401OL JR	0.160	
	1NO 1NC		D22Y401O1FL JT	DL22Y401O1FL JR	0.165	
	2NC		D22Y402OL JT	D22Y402OL JR	0.160	
	2NO 2NC		D22Y402O2FL JT	D22Y402O2FL JR	0.165	
Pull-push E-stop Ø 70 button With bellows	1NC		D22Y701OL JT	D22Y701OL JR	0.165	
	1NO 1NC		D22Y701O1FL JT	D22Y701O1FL JR	0.170	
	2NC		D22Y702OL JT	DL22Y702OL JR	0.165	
	2NO 2NC		D22Y702O2FL JT	D22Y702O2FL JR	0.170	

For connection by double 6.35 tab, replace V2 by F2 at the end of P/N

Example: **L22Y702O2FL F2 JT**

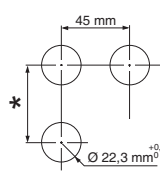
Dimensions - Cutouts



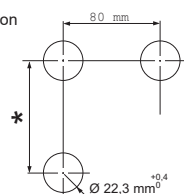
Add 16 mm to the height (39 mm) for every additional contact tier

Support thickness : 1 to 6 mm

Ø 30 / 40 button



Ø 70 button



* 90 mm : Tabs 6.35 mm
60 mm : IP2 screw / bracket