

M-LIGHT Range

MLHE/120 LED Ø 120 mm Head light



- **Compact solution**
- **Enhanced optical performances**
- **Improved lifetime (full LED technology)**

Standards:

- **Design** EN 15153-1 : 2020
TSI LOC & PAS 2014
- **Application** EN 50155
- **EMC** EN 50121-3-2
- **Shock/Vibrations** EN 61373
- **Environment** EN 60068, EN 60529
- **Fire/Smoke** EN 45545-2
- **Cable** EN 50306-4
- **REACH**

Mechanical / Environmental characteristics:

- Operating temperature: -40°C / +70°C
- Front or rear mounting
- IP66 front and rear
- Shock resistance: IK06
- Plastic protective cover
- Cable connection
- UV resistant

Electrical characteristics:

- Power supply: 24 - 110 Vdc (-30% / +25%)
- Optimized power consumption
- Long service life : 60 000 h

Optical characteristics:

- Ø120 mm lit area

	EN 15153-1:2020			Mafelec	
	Intensity (Cd)	Intensity (Cd)	Intensity (Cd)	Mean consumption (W) ± 20%	
Full mode	40 000 - 70 000	53 000		≈ 28	
Dimmed mode	12 000 - 16 000	14 000		≈ 10	

Options:

- Bearing angle adjustment at $\pm 1.5^\circ$ on the two axes after mounting
- Light status feedback (potential free contact)
- Customized connector and cable length
- Light intensities can be adapted on request
- Glass protective cover (for robustness against chemicals)
- Mechanical interface mounting plate
- Amber flashing light



AEROSPACE
& DEFENCE



COACHES
& BUSES



RAILWAY



INDUSTRY



ENERGY



PLEASURE
BOAT



VERTICAL
TRANSPORT



INDUSTRIAL
VEHICLE



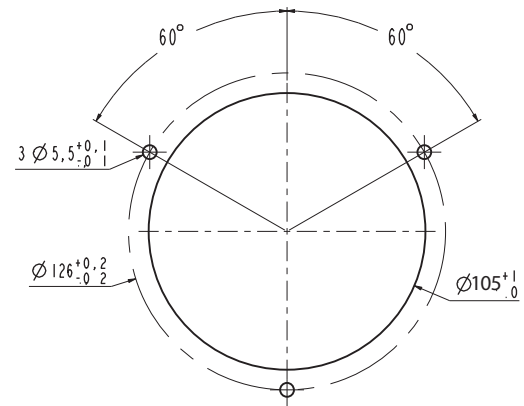
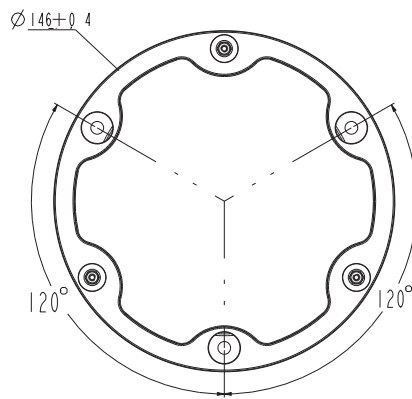
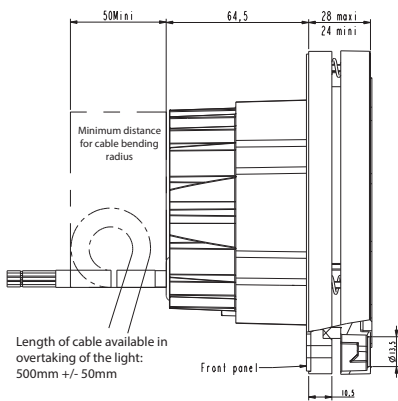
OFFSHORE
& MINING

M-LIGHT Range

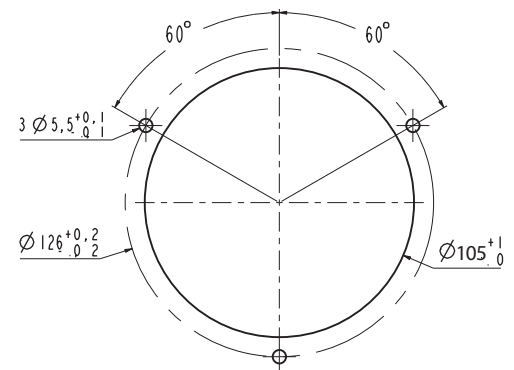
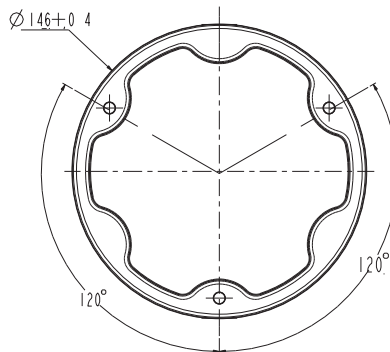
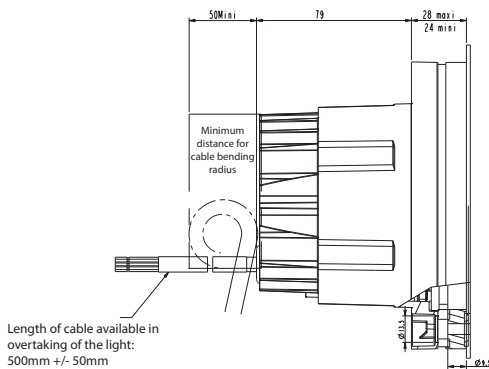
MLHE/120 LED Ø 120 mm Head light

Dimensions:

Front mounting :



Rear mounting :



AEROSPACE
& DEFENCE



COACHES
& BUSES



RAILWAY



INDUSTRY



ENERGY



PLEASURE
BOAT



VERTICAL
TRANSPORT



INDUSTRIAL
VEHICLE



OFFSHORE
& MINING