



MLMT /120 LED Ø 120 mm combined Marker and Tail light

- Compact solution
- Enhanced optical performances
- Improved lifetime (full LED technology)
- Option amber flashing light

Standards:

- Design EN 15153 - 1:2020
TSI LOC & PAS 2014
- Application EN 50155
- EMC EN 50121-3-2
- Shock / vibrations EN 61373
- Environment EN 60068, EN 60529
- Fire/smoke EN 45545-2
- Cable EN 50306-4
- REACH

Mechanical / Environmental characteristics:

- Operating temperatures: - 40°C/+70°C
- Front or rear mounting
- IP66 front and rear
- Shock resistance: IK06
- Plastic protective cover
- Cable connection
- UV resistant

Electrical characteristics:

- Power supply: 24 - 110 Vdc (-30% / +25%)
- Optimized power consumption
- Long service life: 60 000h

Optical characteristics:

- Marker (white) and Tail (red) lights combined
- Ø 120 mm lit area

	EN15153 - 1:2020		Mafelec	
	Intensity	Intensity	Mean consumption (W) ±20%	
Full Marker light	300-700	600	≈ 8	
Dimmed Marker light	100-300	200	≈ 4	
Tail light	15-100	80	≈ 3	

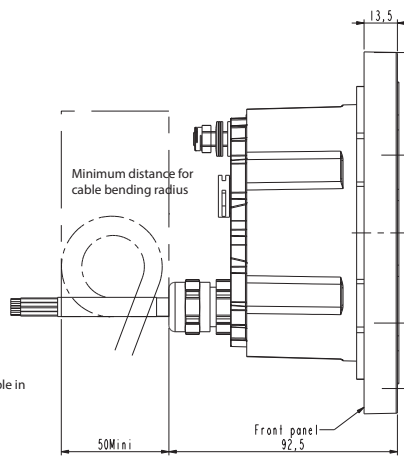
Options:

- Light status feedback (potential free contact)
- Customized connector and cable length
- Light intensities can be adapted on request
- Glass protective cover (for robustness against chemicals)
- Mechanical interface mounting plate
- Amber flashing light

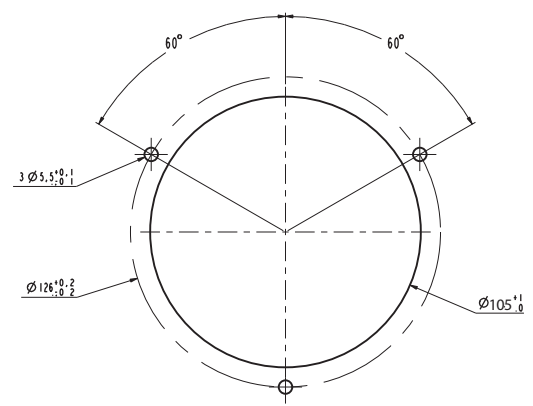
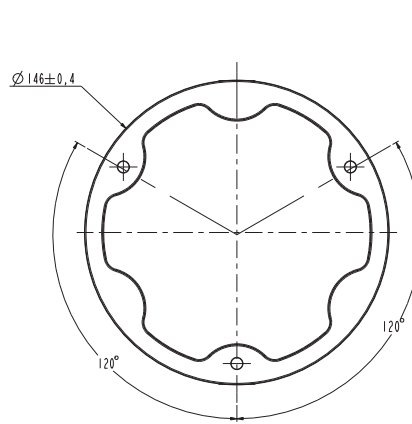
MLMT /120 LED Ø 120 mm combined Marker and Tail light

Dimensions:

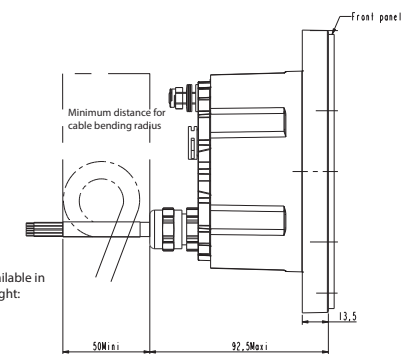
Front mounting :



Length of cable available in overtaking of the light: 500mm +/- 50mm



Rear mounting :



Length of cable available in overtaking of the light: 500mm +/- 50mm

