

Push button MDoor-VG



Product configuration

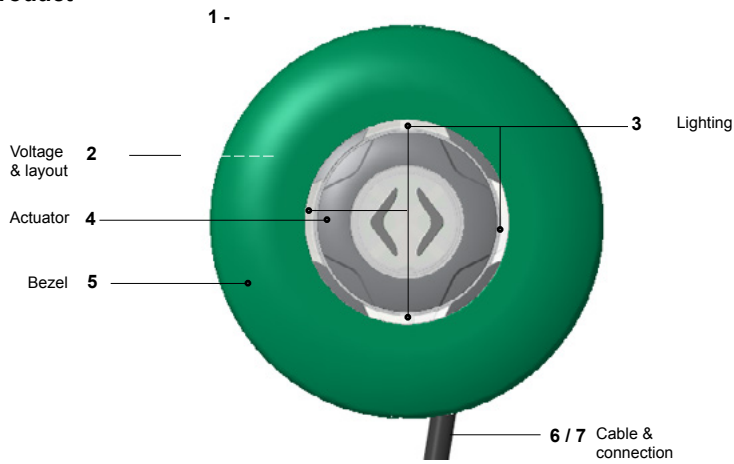
COMPANY :

Select your activity :

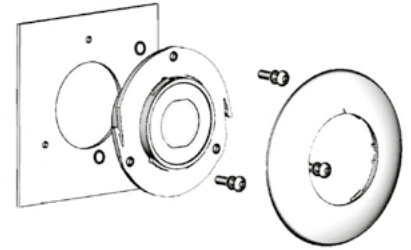
Project :

Drawing number:

1 - M-Door product



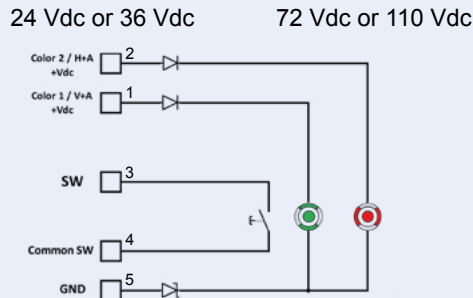
Front Mounting



2 - Voltage - Electrical layout

Nominal values (-30% / +25%)

2a - Railway (EN50155)

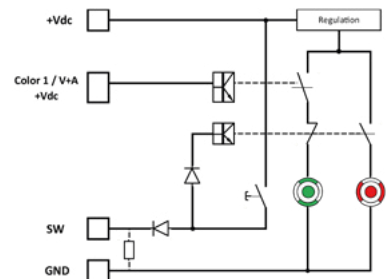
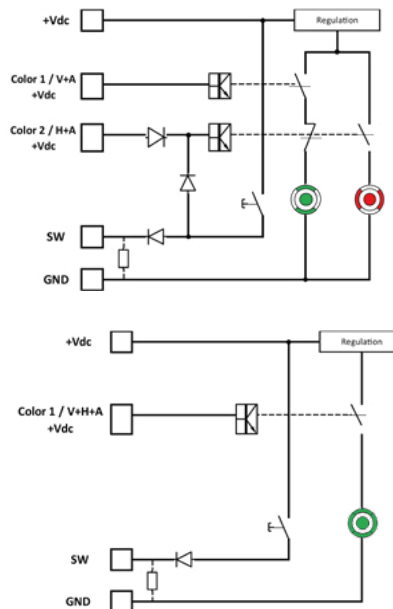
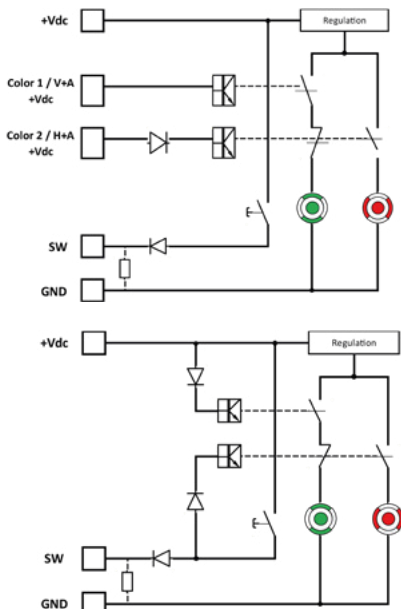


Other technical layout
(Provide your schematic)

Vdc =
+24V
+36V
+72V
+110V

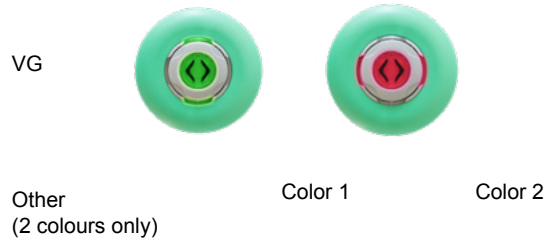
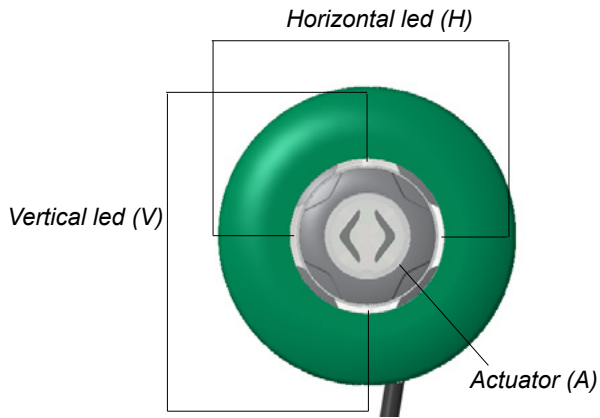
2b- Buses (ECER10)

12 Vdc or 24 Vdc Other voltage



Other technical layout
(Provide your schematic)

3 - Lighting :



Precise your illumination requirement for V, H, A areas

4 - Actuator

4a - Standard configuration

Visual symbol	<>	><	♿	<>	♿	🗣️
Relief symbol or braille	<>	><	♿	«Door» ⠠⠠⠠⠠	«Ramp» ⠠⠠⠠⠠	«Call» ⠠⠠⠠

4b - Customised configuration

Visual symbol: <> >< ♿ ♿ 🗣️ Other (please provide a drawing) None [View example](#)

Relief symbol or braille (select only 1 box): <> >< ♿ «Door» «Ramp» «Call» Other (please provide a drawing) None*

Inside

Relief symbol

Braille

*Not in conformity with the standard EN14752

5 - Bezel

Shape: Plastic round Plastic round (with 2 areas for marking) Metal round Metal round (with 2 areas for marking) Marking request Metal square

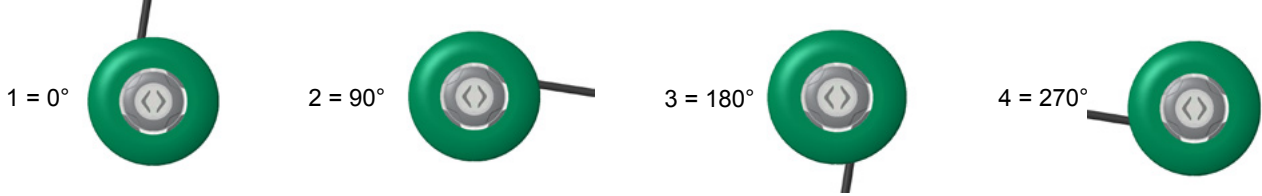
[View example](#)

Color: Green (RAL6024) Red (RAL3018) Dark blue (RAL5017) Yellow (RAL1018) Light grey (RAL7040) Other Precise your color

[View example](#)

6 - Cable position

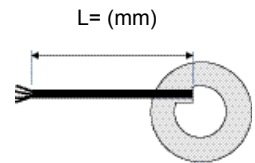
Standard length = 170 mm from back cover to the end of moulding resin



Type: EN 50306-4 / ECER118 Connecting side with cable overmolded (IP65)

Other cable type Cable overmolded needed to respect IP65 Precise your request

Standard length: L= 170 (standard) L= 500 L= 1000 Other: L=



7 - Connection

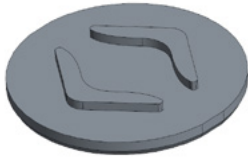
Without connector (standard) AMP Female 4 pins, 180901 Specific connection (please provide a drawing or part number)

Detailed information

Actuator

[Return](#)

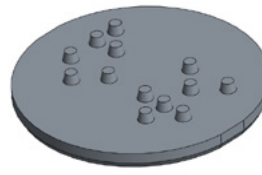
Some examples from our product range :



Raised opening door symbol



Raised wheelchair symbol



Door Braille

Actuator diameter : 40mm
Raised actuator : 3mm high
Raised symbol : 1mm high

Bezel Color

[Return](#)

The colors are only for indication because the rendering depending on the material (metal or plastic)



Red (RAL 3018)



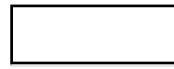
Orange (RAL 2009)



Yellow (RAL 1018)



Green (RAL 6024)



White (RAL 9010)



Dark blue
(RAL 5017)



Light blue
(RAL5012)



Dark grey
(RAL 7037)



Light grey
(RAL 7040)



Decorative chrome
(metal version only)

Bezel

[Return](#)

Plastic or Metal round

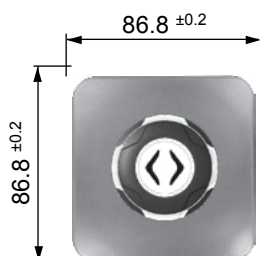


Plastic or Metal round shape
with marking

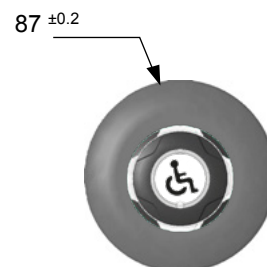


Metal square shape

Dimensions (mm)

[Return](#)

Square shape



Round shape

Because of the constant evolution in standards and materials, the texts and images of this document do not constitute a contractual agreement.

471 Route de la Cuisinière - F-38 490 CHIMILIN - FRANCE - Ph. : +33 (0)4 76 32 07 33 - Fax : +33 (0)4 76 32 54 11
www.mafelec.com - contact@mafelec.fr