

M-Door Slim

A push button for stop request and opening door applications

- **Active surface Ø 40mm**
- **Slim shape**
- **Assembly on panel or pole (Ø30 - Ø35mm)**
- **Large choice of customisation**



Mechanical characteristics:

- Operating temperature: - 40°C / + 85°C (depending on cable)
- Mechanical service life: 3 000 000 operations
- Protection: IP67/65
- Haptic feel
- Installation on pole or flat surface

Lighting characteristics:

- Unlimited choice of back lit pictograms with changing colour
- This change of colour can be automatic or remotely controlled

Options:

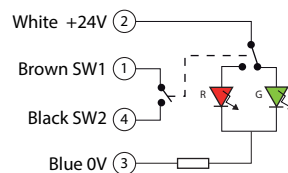
- Pole adapters for Ø 30 to Ø 35mm
- Housing or adapter color choice
- Steel actuator

Standards :

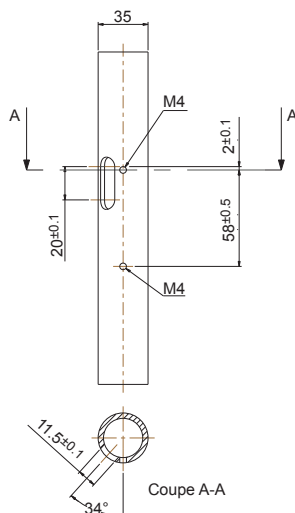
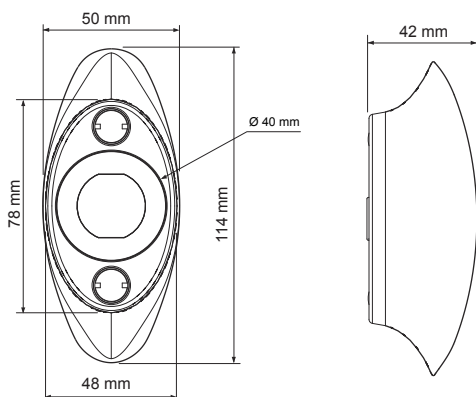
- **Application** EN 50155, TSI PRM, EN 16584-2, Decree May 3, 2007
- **EMC** EN 50121-3-2
- **Environment** EN 60068, EN 60529, EN 61373
- **Fire / smoke** EN 45545-2, ECER118
- **REACH / ROHS**

Electrical characteristics:

- Operating voltage 12 , 24, or 36 VDC (Other voltages on request)
- Reverse polarity protection
- Important service life



Pole version



Flat surface version

