



MLMT/120



LED Ø 120 mm Railway Marker and Tail light

- Compact solution
- Single color or bicolor
- 3 modes available, steady or blinking
- Optical variants adapted to different operating areas
- Improved lifetime (full LED technology)

Mechanical / Environmental characteristics:

- Operating temperature: - 40°C/+70°C
- Front or rear mounting
- IP66 front and rear
- Shock resistance: IK06
- Plastic or glass protective cover
- Cable connection
- UV resistant
- Salt mist resistance : 480 h

Standards:

- Railway application EN 50155
- EMC EN 50121-3-2
- Shock / vibrations EN 61373
- Environment EN 60068, EN 60529
- Fire/smoke EN 45545-2, NFPA 130
- Cable EN 50306-4
- REACH, RoHS

Electrical characteristics:

- Power supply: 24 - 110 Vdc (-30% / +25%)
- Optimized power consumption
- Long service life: 60 000h
- Light status feedback (potential free contact)

Options:

- Light intensities can be adapted on request
- Autonomous flashing mode
- Customized connector and cable length
- Mechanical interface mounting plate

Optical characteristics:

Operation in Europe :

- EN 15153-1 / TSI LOC&PAS

Function	Standards	Product features	
	Light intensity (cd)	Light intensity (cd)	Mean consumption (W)+/-20%
Lower white marker light, full	300-700	~600	~8
Lower white marker light, dimmed	100-300	~200	~4
Lower red tail light	15-100	~80	~3
Upper white marker light, full	150-350	~300	~4
Upper white marker light, dimmed	50-150	~100	~2

Operation in other countries

- India : RDSO Standards
- USA : 49 CFR 221.14
- Australia : AS 7531

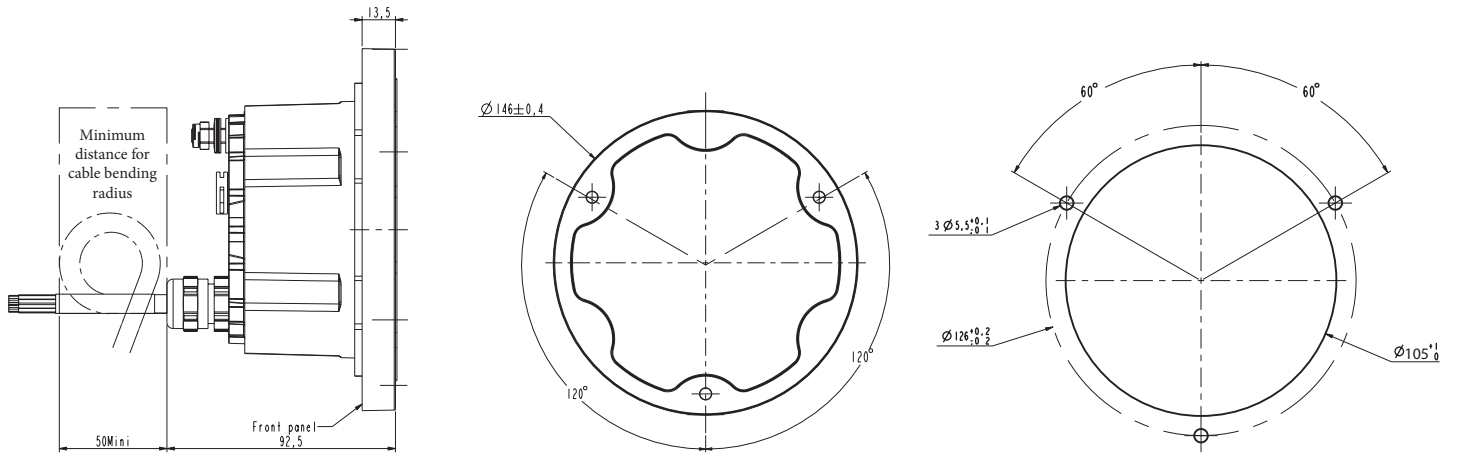
Function	Standards	Product features	
	Light intensity (cd)	Light intensity (cd)	Mean consumption (W)+/-20%
Lower white marker light	>100	~ 300	~5
Lower red marker light	>100	~300	~5
Upper amber flasher light (2 Hz)	>500	~600	~8



MLMT/120

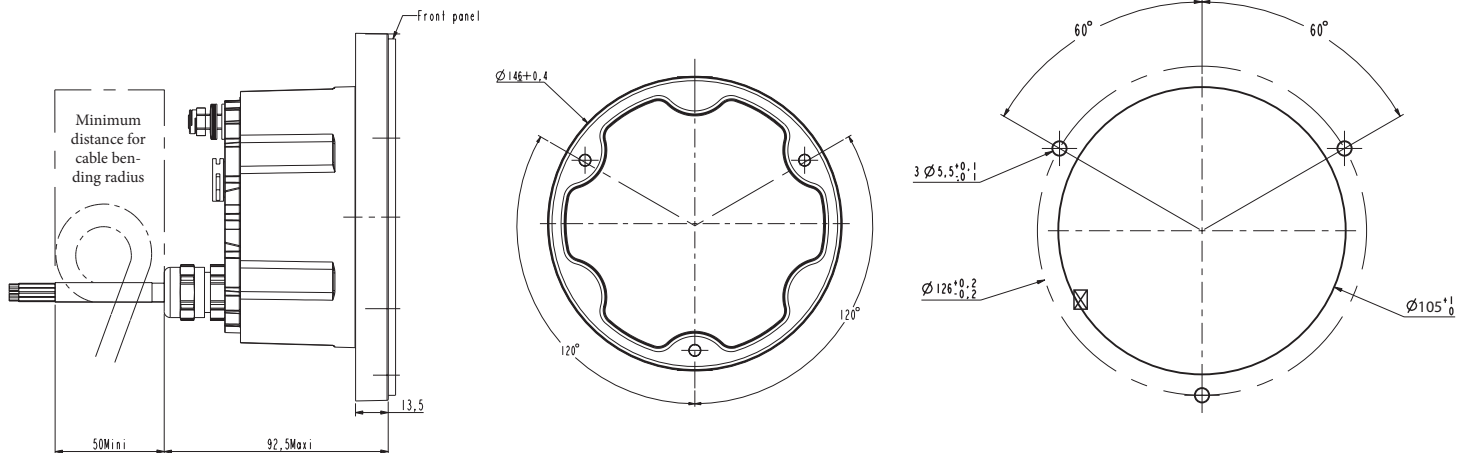
Dimensions:

Front mounting



Length of cable available in over-taking of the light: 500mm +/- 50mm

Rear mounting



Length of cable available in over-taking of the light: 500mm +/- 50mm