



USB M-Door Slim Socket

- **Removable USB socket module with special tool for quick and easy maintenance**
- **5 000 cycles of insertion/extraction**
- **0.5A to 2.4A per USB port**
- **USB type A or USB type C compatible**

Standards:

- Product : EN62684, EN62680
- Application : EN50155
- EMC : EN50121-3-2
- Shock and vibration : EN61373
- Fire and Smoke : EN45545-2
- ROHS, REACH

Mechanical characteristics:

- Panel Front mounting or Pole mounting
- Insertion/extraction : 5 000 cycles
- Operating temperature: -25°C (-13°F) to + 55°C (+131°F)
- Removable USB type A 3.0 socket module with special tool for quick and easy maintenance
- Vandal proof mounting
- Single or Double, vertical USB socket
- Marking of USB logo, voltage and Max current
- IP20, IK07

Electrical characteristics:

- 5VDC output according to USB standard
- Adjustable current limitation from 0.5A to 2.4A
- Railway power converter AC/DC or DC/DC in the range (not integrated in the USB socket)

Mounting / Connection:

- Mounting with 2 M4 or n°8-32 UNC screws
- Output: cable 2 or 4 wires EN50306-4

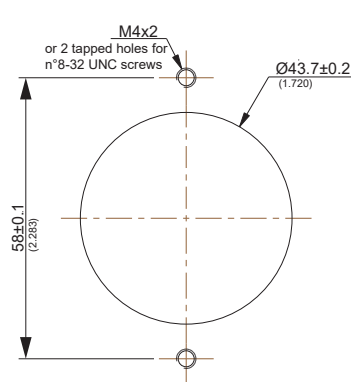
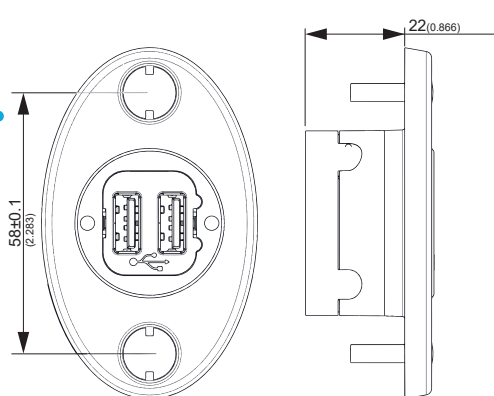
Options:

- Power supply indicator
- 2 USB ports with independent power supply
- Customization of front side colors

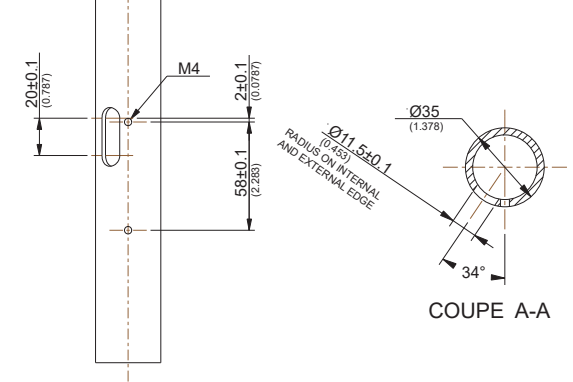
Labels : mm (in)

Schematics:

PANEL FRONT MOUNTING



POLE MOUNTING



PANEL CUT OUT