

Double or single pushbutton for glass mount without drilling

→ 2 switching modes:

- > PUSHBUTTON FOR VISUALLY IMPAIRED
- > TOUCHLESS* (OPTIONAL)

→ Antimicrobial surface* (optional)

- > 99,8% BACTERIES KILLED

→ Auto synchronized pushbuttons on glass from 3 to 20mm (no pairing)

→ Possible asynchronous status between inside and outside pushbutton

*M-SAFE features

Mechanical characteristics:

- Operating temperature: - 40°C / + 85°C
- Storage conditions : see YNN4091
- Mechanical service life > 3 000 000 operations
- Protection : IP65 external button / IP44 internal button
- Activation force <12N and click! - Motion < 2 mm
- High performance adhesive (on glass)
- Single and double glazing thickness: 3 to 20 mm
- Acceptable glass curve > 10m
- Compatible heat treated glass
- Frame interface angles: 90° standard (other angles adaptable on request)
- Minimum cable bending radius: \varnothing 22mm

Standards:

- Application EN 14752, TSI PRM, EN16584-2, EN 50155, Decree May 3, 2007
- EMC CISPR25, ECER10, EN50121-3-2
- Environment ISO 16 750, EN 60529, EN 60068, EN 61373
- Fire & smoke ECER118, EN 45545-2
- Antimicrobial ISO 22196
- RED Directive
- REACH / ROHS

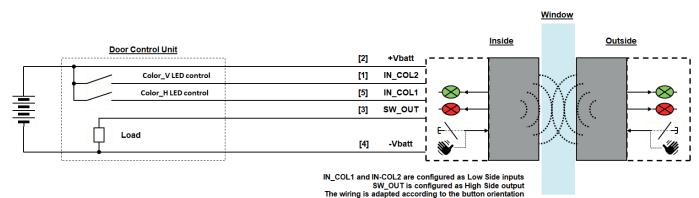
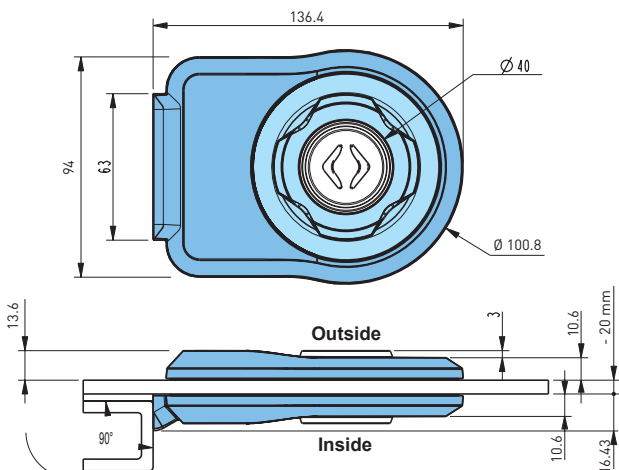
Luminous characteristics:

- Each lighting area configurable independently (fixed or flashing)
- Unlimited choice of backlit pictograms, with color change
- LED colors on request
- Luminous intensity >30 cd/m²

Electrical characteristics:

- Voltage : 12 Vdc or 24 Vdc (other voltages on request)
- Max current on SW_OUT = 200mA
- Reverse polarity protection and overvoltage
- Long service life (LED technology)
- Electrical diagram (example)*

Dimensions:



Options:

- Extreme temperatures -50°C to +85°C
- Large choice of colors
- Raised pictograms
- Braille
- Cable and connector choice
- Customized electronics
- Shapes adapted to the frame interface